

PM000DS6A ✓ ACTIVE

Corcom | Corcom P

TE Internal #: 2-6609942-9

Multi-Function Inlet Filters, Power Entry (Filtered/Unfiltered), Single AC Input, No Switch, Filter Shield, Vertical, 6 A, Flanged, Corcom P

[View on TE.com >](#)



EMI & EMC Solutions > EMI Filters > Multi-Function Inlet Filters > CORCOM P SERIES MULTI-FUNCTION INLET FIL



Filter Type: **Power Entry (Filtered/Unfiltered)**

Input Voltage Selection: **Single AC**

Filter Switch Type: **No Switch**

Filter Shield Type: **Filter Shield**

Mount Angle: **Vertical**

[All CORCOM P SERIES MULTI-FUNCTION INLET FIL \(300\)](#)

Features

Product Type Features

| | |
|--------------------------------|-----------------------------------|
| Ground Choke Option | No |
| Ground Option | None |
| Level Of Filtering | Inductor & Capacitor |
| Filter Type | Power Entry (Filtered/Unfiltered) |
| Filter Switch Type | No Switch |
| Filter Input Termination Type | IEC |
| Filter Output Termination Type | .187" FASTON |
| Filtering Requirements | Filtered |
| Filter Connector Type | IEC 60320-1 C-14 |
| Accessory Type | Fuse Clip |

Configuration Features

| | |
|------------------|------|
| Extender Options | None |
| Fuse Options | Dual |



Electrical Characteristics

| | |
|--------------------------------------|------------------|
| Input Voltage Selection | Single AC |
| Leakage Current (Max) (120VAC, 60Hz) | 2 μ A |
| Leakage Current (Max) (250VAC, 50Hz) | 5 μ A |
| Filter Current Rating | 6 A |
| Voltage Rating (Max) | 115 VAC, 230 VAC |

Body Features

| | |
|--------------------|---------------|
| Filter Shield Type | Filter Shield |
|--------------------|---------------|

Mechanical Attachment

| | |
|--------------------|----------|
| Mount Angle | Vertical |
| Filter Mount Style | Flanged |

Dimensions

| | |
|-----------------------|-----------------------------|
| Panel Thickness Range | .79 – 2 mm [.031 – .079 in] |
|-----------------------|-----------------------------|

Usage Conditions

| | |
|-----------------------------|-------------|
| Operating Temperature Range | -10 – 40 °C |
|-----------------------------|-------------|

Operation/Application

| | |
|--------------|----------|
| For Use With | P Series |
|--------------|----------|

Product Compliance

[For compliance documentation, visit the product page on TE.com>](#)

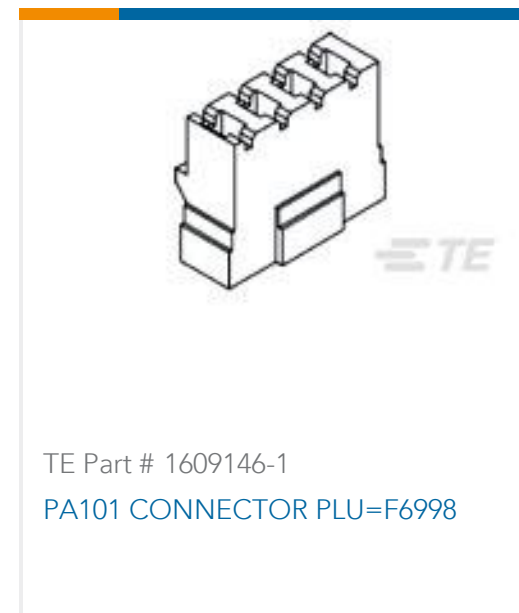
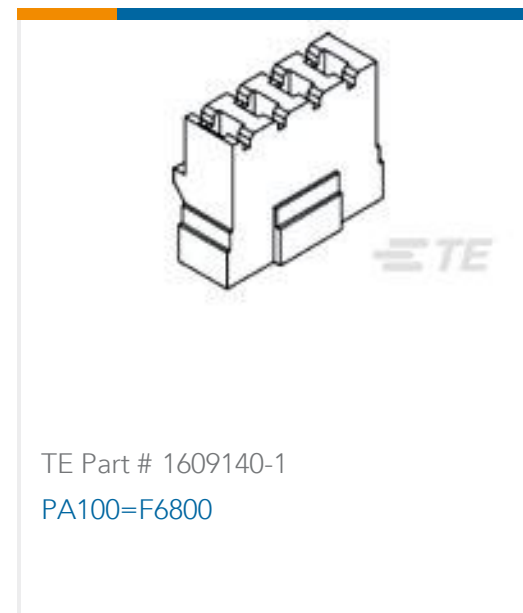
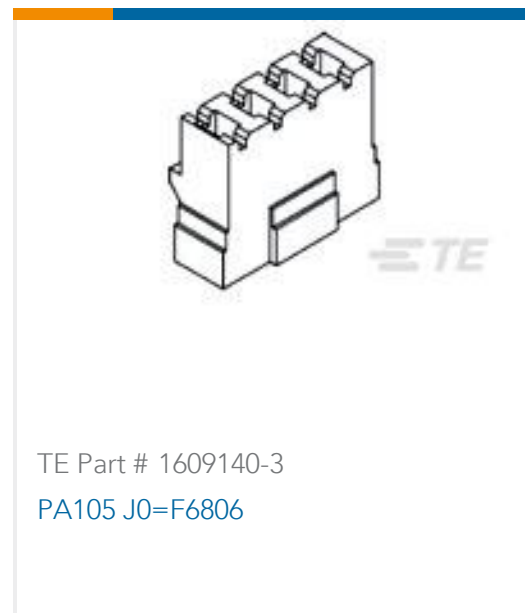
| | |
|---|---|
| EU RoHS Directive 2011/65/EU | Compliant |
| EU ELV Directive 2000/53/EC | Compliant |
| China RoHS 2 Directive MIIT Order No 32, 2016 | No Restricted Materials Above Threshold |
| EU REACH Regulation (EC) No. 1907/2006 | Current ECHA Candidate List: JUNE 2022 (224) Candidate List Declared Against: JUNE 2022 (224) Does not contain REACH SVHC |
| Halogen Content | Not Low Halogen - contains Br or Cl > 900 ppm. |
| Solder Process Capability | Not applicable for solder process capability |

Product Compliance Disclaimer

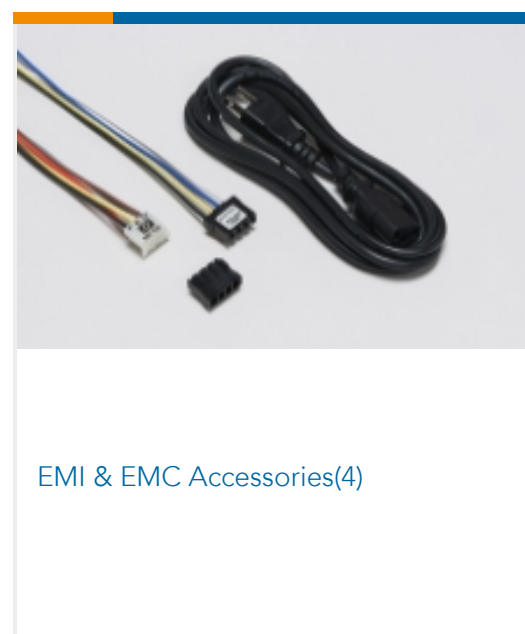
This information is provided based on reasonable inquiry of our suppliers and represents our current actual knowledge based on the information they provided. This information is subject to change. The part numbers that TE has identified as EU RoHS compliant have a maximum concentration of 0.1% by weight in homogenous materials for lead, hexavalent

chromium, mercury, PBB, PBDE, DBP, BBP, DEHP, DIBP, and 0.01% for cadmium, or qualify for an exemption to these limits as defined in the Annexes of Directive 2011/65/EU (RoHS2). Finished electrical and electronic equipment products will be CE marked as required by Directive 2011/65/EU. Components may not be CE marked. Additionally, the part numbers that TE has identified as EU ELV compliant have a maximum concentration of 0.1% by weight in homogenous materials for lead, hexavalent chromium, and mercury, and 0.01% for cadmium, or qualify for an exemption to these limits as defined in the Annexes of Directive 2000/53/EC (ELV). Regarding the REACH Regulation, the information TE provides on SVHC in articles for this part number is based on the latest European Chemicals Agency (ECHA) 'Guidance on requirements for substances in articles' posted at this URL: <https://echa.europa.eu/guidance-documents/guidance-on-reach>

Compatible Parts



Also in the Series | Corcom P



Documents

Product Drawings

[PM000DS6A=C3543](#)

English

CAD Files

Customer View Model

[ENG_CVM_CVM_2-6609942-9_O.3d_igs.zip](#)

English

Customer View Model

[ENG_CVM_CVM_2-6609942-9_O.3d_stp.zip](#)

English

Customer View Model

[ENG_CVM_CVM_2-6609942-9_O.2d_dxf.zip](#)

English

[3D PDF](#)



3D

Customer View Model

[ENG_CVM_2-6609942-9_A.3d_igs.zip](#)

English

Customer View Model

[ENG_CVM_2-6609942-9_A.3d_stp.zip](#)

English

Customer View Model

[ENG_CVM_2-6609942-9_A.2d_dxf.zip](#)

English

3D PDF

3D

By downloading the CAD file I accept and agree to the [Terms and Conditions](#) of use.

Datasheets & Catalog Pages

[1654001_CORCOM_PRODUCT_GUIDE](#)

English

[Corcom Combined Selector Charts](#)

English

[1-1654250-1_CORCOM_EMI_RFI_QRG](#)

English